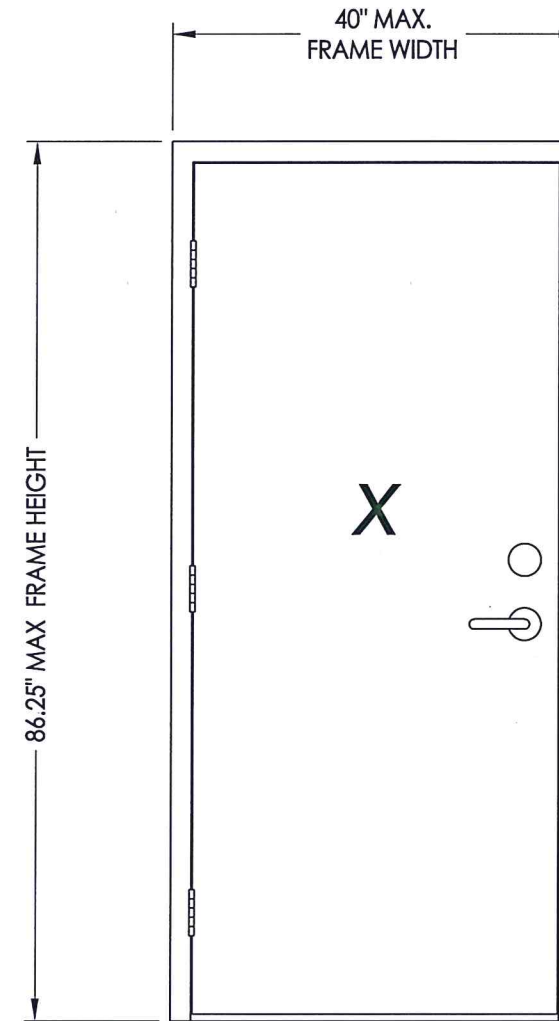


**Dunbarton**  
CORPORATION

868 MURRAY ROAD, DOTHAN, AL 36303

**"REDIFRAME PD"  
HOLLOW METAL FRAME  
IN SWING/OUT SWING  
"IMPACT"**

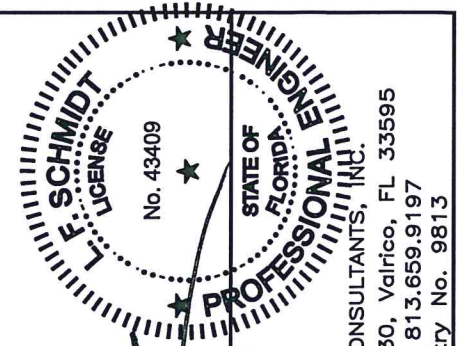


GENERAL NOTES

1. This product has been evaluated and is in compliance with the 7th Edition (2020) Florida Building Code (FBC) structural requirements excluding the "High Velocity Hurricane Zone" (HVHZ).
2. Product anchors shall be as listed and spaced as shown on details. Anchor embedment to base material shall be beyond wall dressing or stucco.
3. When used in areas requiring wind borne debris protection, this product complies with FBC Sections 1609.1.2 & R301.2.1.2 and does not require an impact resistant covering. This product meets missile level "D" and includes Wind Zone 4 as defined in ASTM E 1996 and FBC Sections 1609.1.2.2 & R301.2.1.2.1.
4. Site conditions that deviate from the details of this drawing require further engineering analysis by a licensed engineer or registered architect.

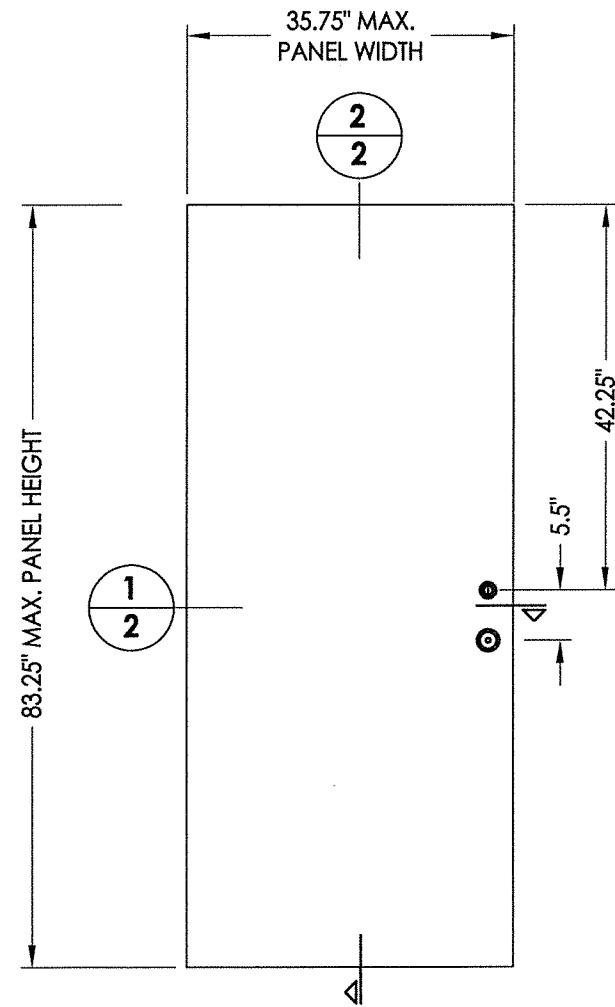
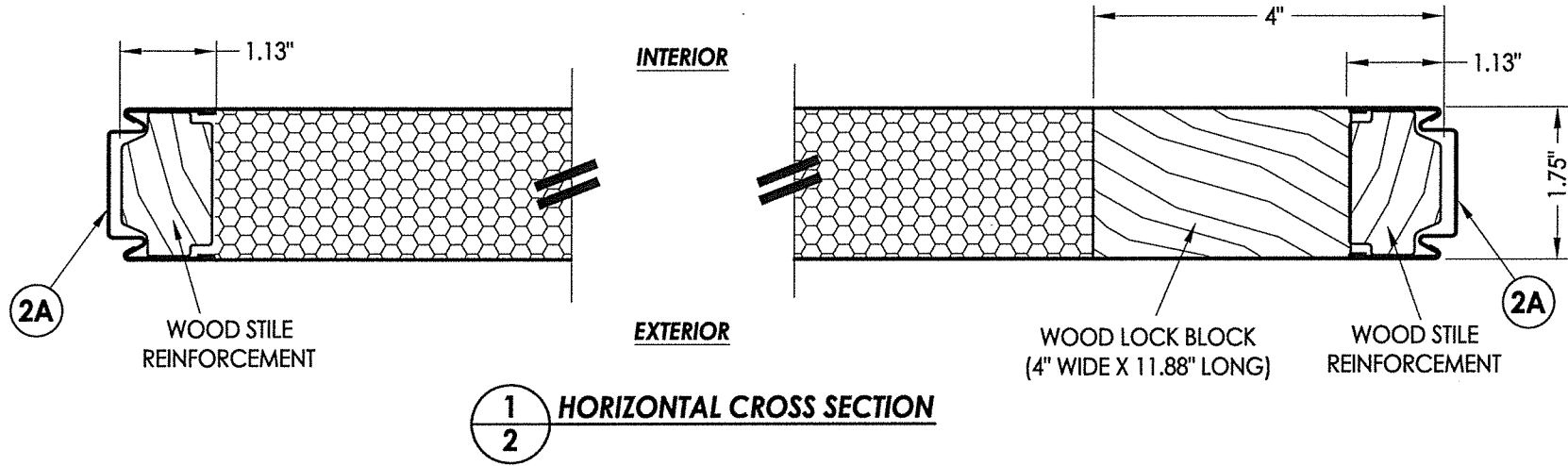
TABLE OF CONTENTS	
SHEET #	DESCRIPTION
1	Typical elevations, design pressures, & general notes
2	Door panel details
3	Door panel details
4	Elevations & vertical cross sections
5	Horizontal cross sections
6	Frame anchoring
7	Bill of materials & components

MAX. OVERALL DIMENSION	DESIGN PRESSURE (PSF) IN SWING		DESIGN PRESSURE (PSF) OUT SWING	
	POSITIVE	NEGATIVE	POSITIVE	NEGATIVE
40.0" X 86.25"	+65.0	-65.0	+65.0	-65.0

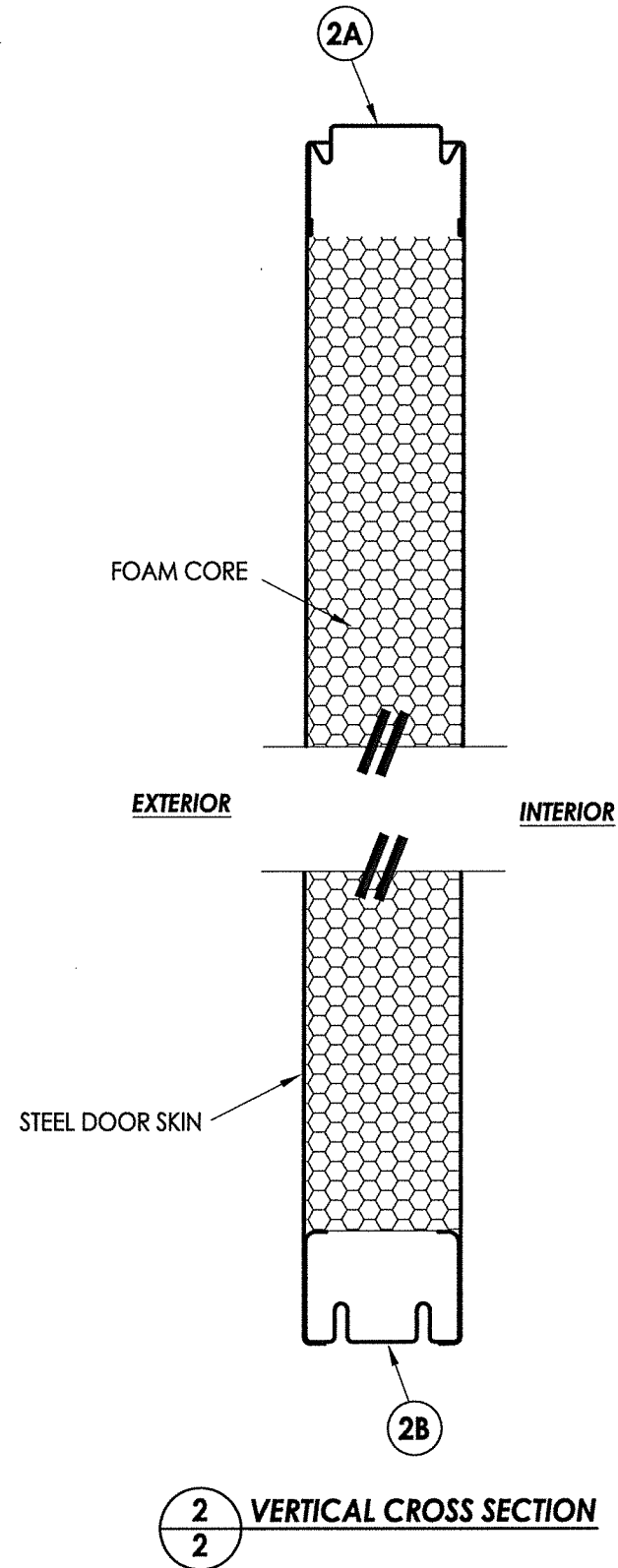
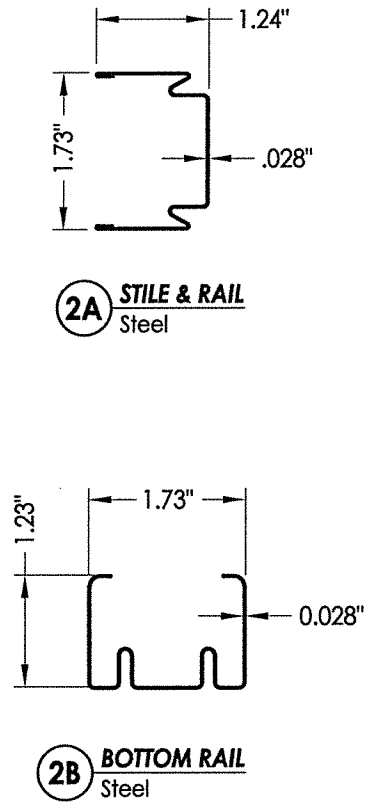


October 19, 2020  
 Documents Prepared By:  
 Lyndon F. Schmidt  
 P.E. No. 43409  
 R.W. BUILDING CONSULTANTS, INC.  
 P.O. Box 230, Vairico, FL 33595  
 Phone No.: 813.659.9197  
 FBPE Registry No. 9813

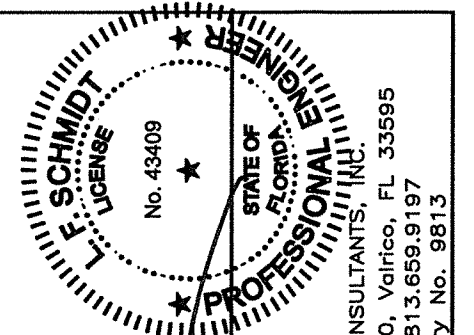
PRODUCT:	DUNBARTON
PART OR ASSEMBLY:	TYPICAL ELEVATIONS, DESIGN PRESSURES & GENERAL NOTES
DATE:	10/13/20
SCALE:	N.T.S.
DWG. BY:	RW
CHK. BY:	LFS
DRAWING NO.:	FL-9231.3
SHEET	1 OF 7



**40** **7'-0" STEEL DOOR PANEL**  
JELD-WEN



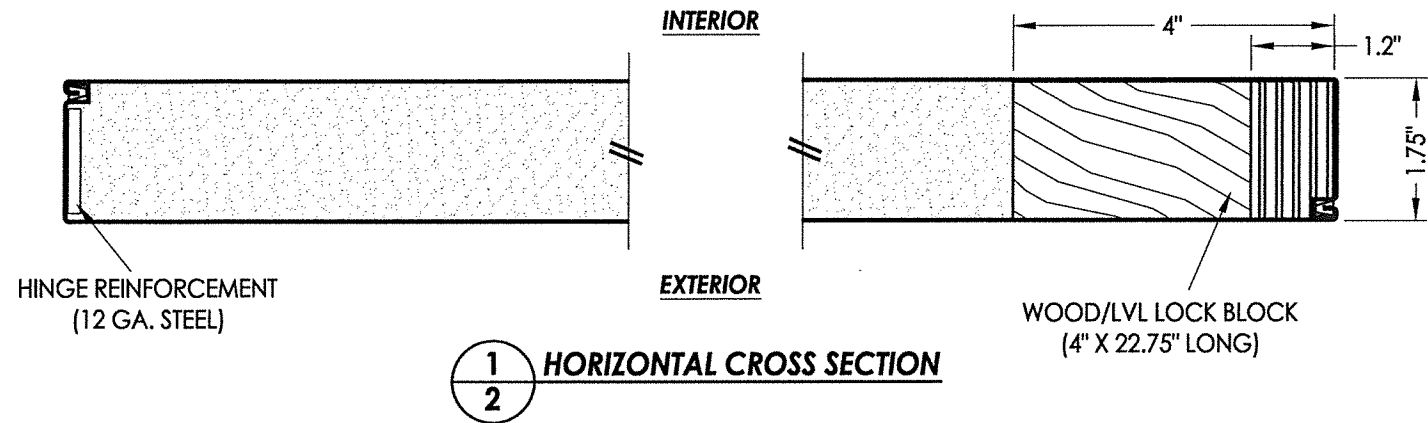
DOOR SKIN: 0.022" MIN. THK. GALV. STEEL  
FOAM CORE: POLYSTYRENE



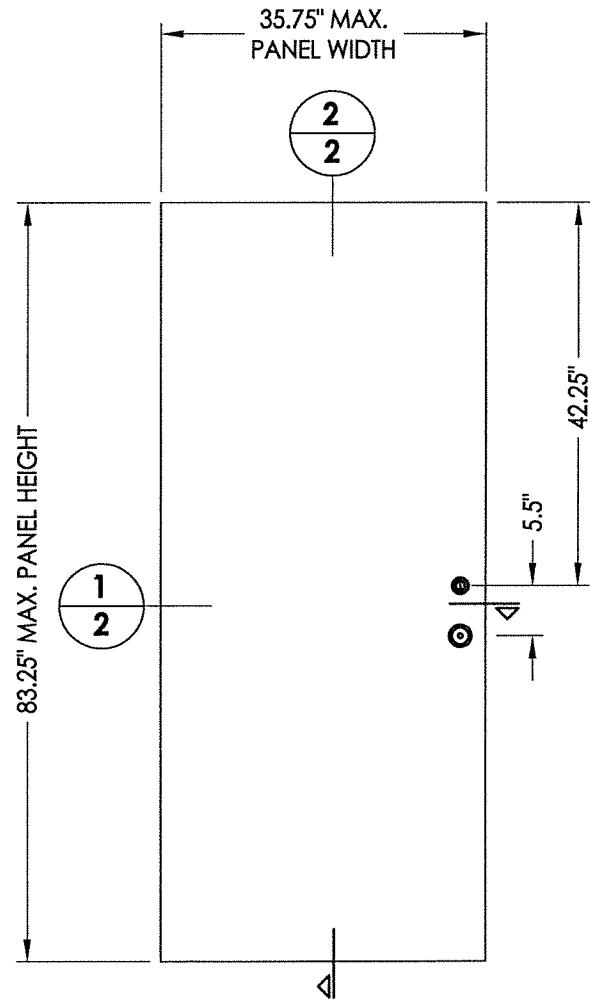
October 19, 2020  
 Documents Prepared By:  
 Lyndon F. Schmidt  
 P.E. No. 43409

*RW* BUILDING CONSULTANTS, INC.  
 P.O. Box 230, Valrico, FL 33595  
 Phone No.: 813.659.9197  
 FBPE Registry No. 9813

PRODUCT:	DUNBARTON	
PART OR ASSEMBLY:	DOOR PANEL DETAILS	
NO.	DATE	BY
REVISIONS		
DATE:	10/13/20	
SCALE:	N.T.S.	
DWG. BY:	RW	
CHK. BY:	LFS	
DRAWING NO.:	FL-9231.3	
SHEET	2	OF 7

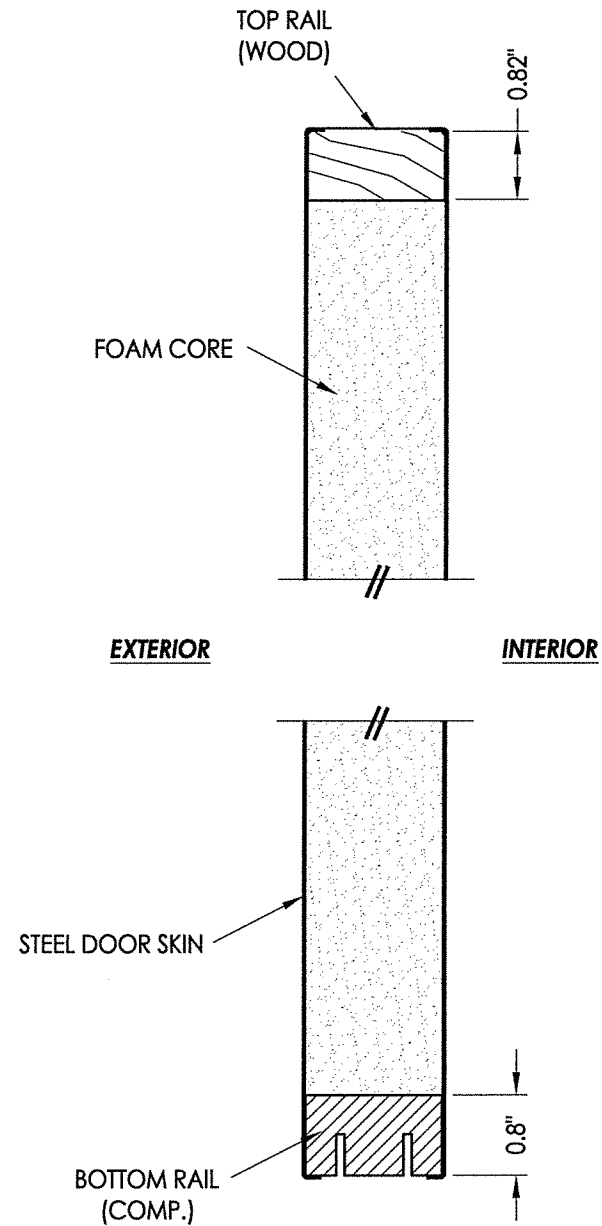


**1**  
**2** HORIZONTAL CROSS SECTION

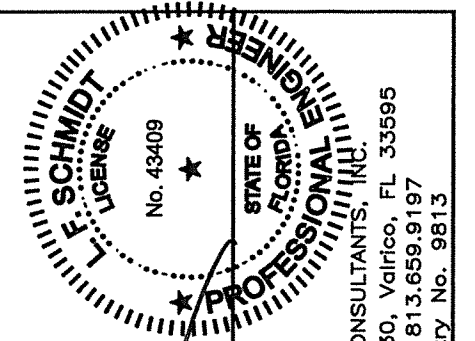


**41** 7'-0" STEEL DOOR PANEL  
Masonite

DOOR SKIN: 0.022" MIN. THK. GALV. STEEL  
CORE MATERIAL: POLYURETHANE CORE



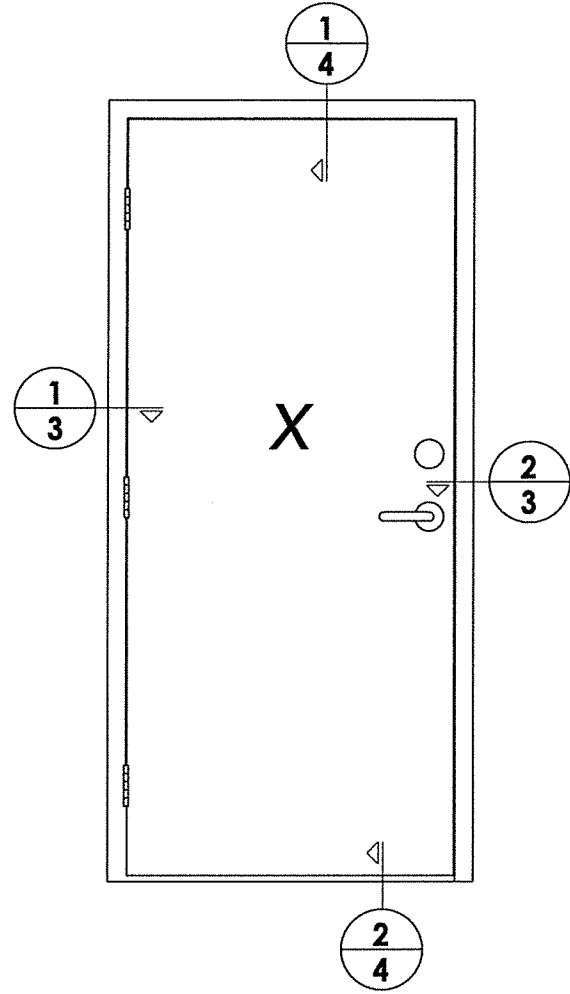
**2**  
**2** VERTICAL CROSS SECTION



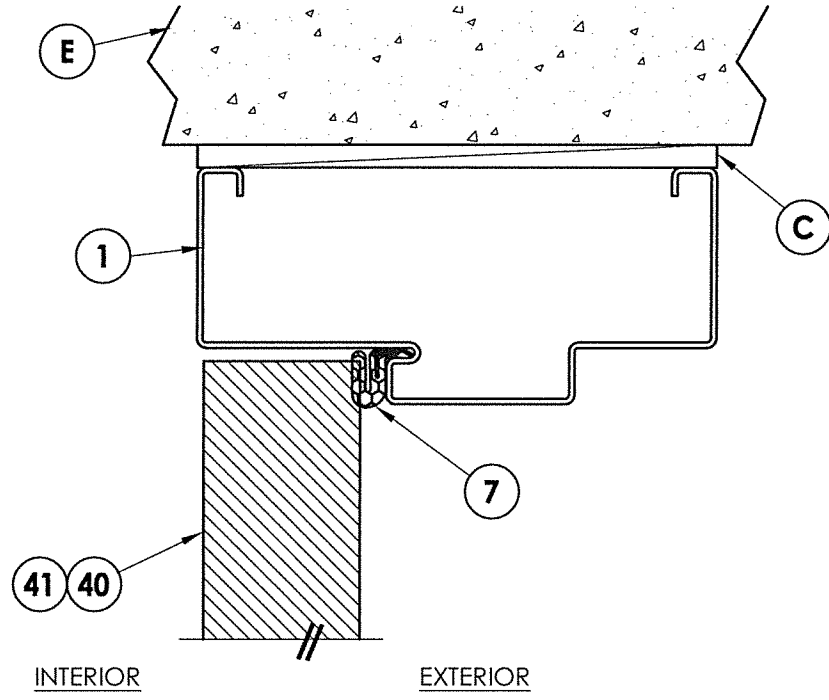
October 19, 2020  
 Documents Prepared By:  
 Lyndon F. Schmidt  
 P.E. No. 43409  
 RW BUILDING CONSULTANTS, INC.  
 P.O. Box 230, Valrico, FL 33595  
 Phone No.: 813.659.9197  
 FBPE Registry No. 9813

PRODUCT:	DUNBARTON	
PART OR ASSEMBLY:	DOOR PANEL DETAILS	
NO.	DATE	BY

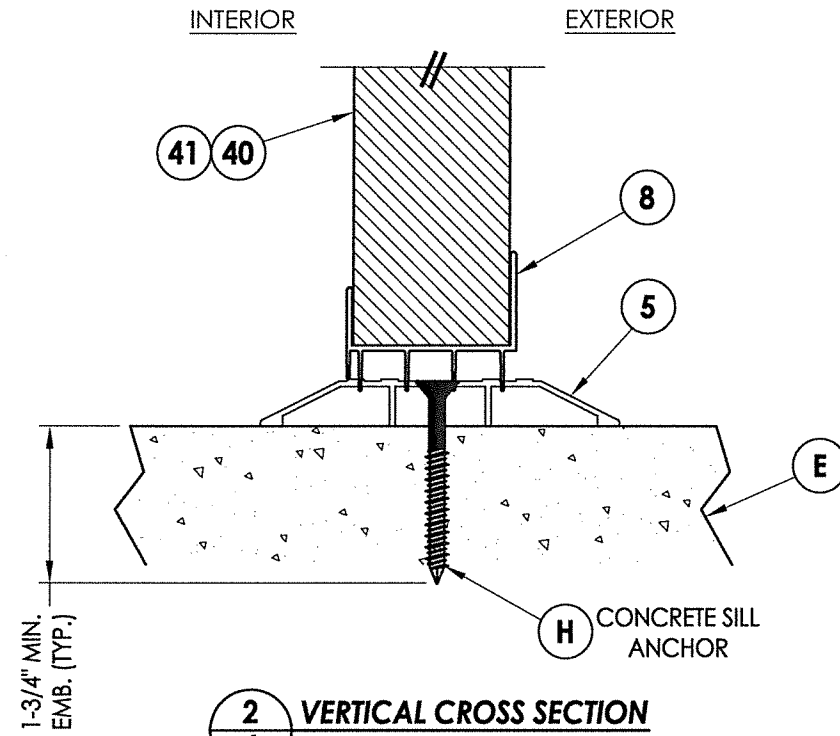
DATE: 10/13/20  
 SCALE: N.T.S.  
 DWG. BY: RW  
 CHK. BY: LFS  
 DRAWING NO.: FL-9231.3  
 SHEET 3 OF 7



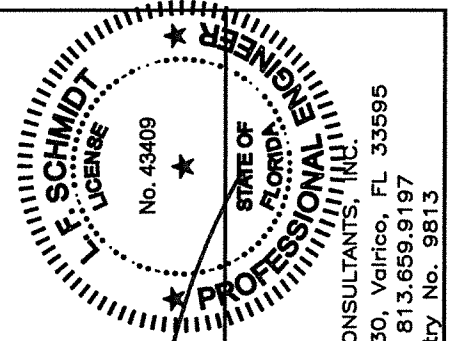
LOCK HARDWARE	
LATCH:	SCHLAGE (J10SOL)
DEADBOLT:	KWIKSET SIGNATURE SERIES (780)



**1**  
**4** **VERTICAL CROSS SECTION**  
Inswing Shown (Outswing Similar)



**2**  
**4** **VERTICAL CROSS SECTION**

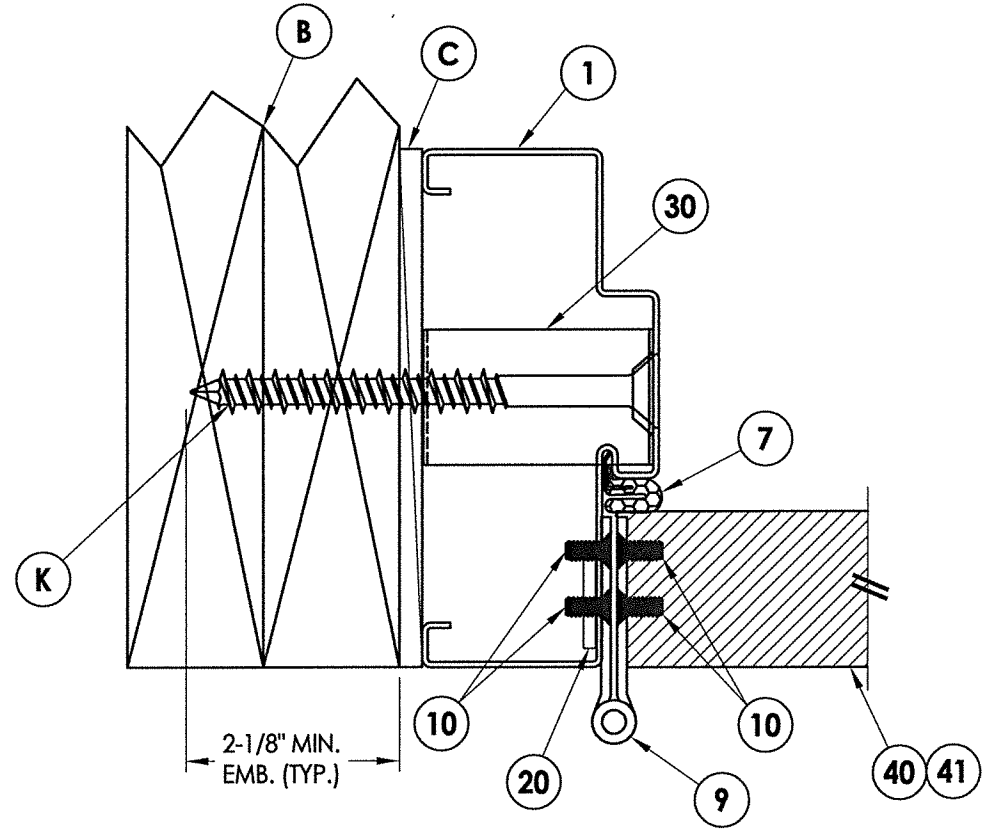


*[Signature]*

October 19, 2020  
 Documents Prepared By:  
 Lyndon F. Schmidt  
 P.E. No. 43409

**RW** BUILDING CONSULTANTS, INC.  
 P.O. Box 230, Valrico, FL 33595  
 Phone No.: 813.659.9197  
 FBPE Registry No. 9813

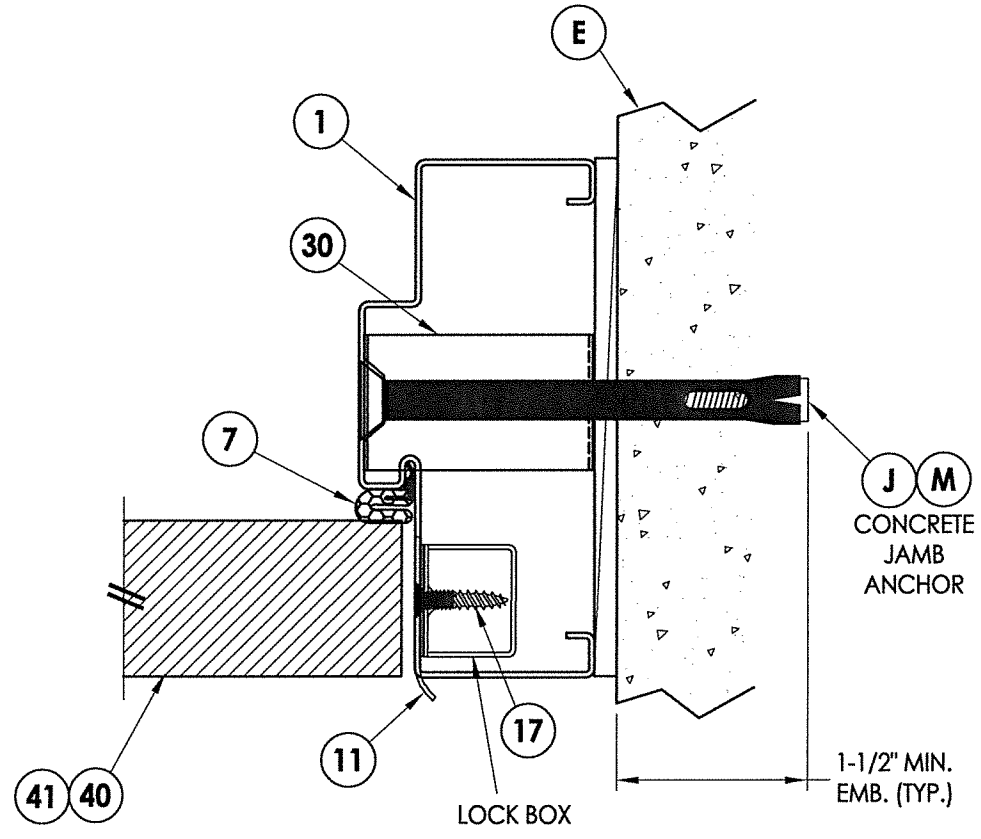
PRODUCT:	DUNBARTON
PART OR ASSEMBLY:	ELEVATION & VERTICAL CROSS SECTIONS
DATE:	10/13/20
SCALE:	N.T.S.
DWG. BY:	RW
CHK. BY:	LFS
DRAWING NO.:	FL-9231.3
SHEET	4 OF 7



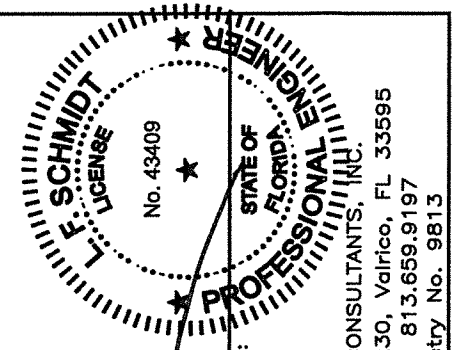
**1**  
**5** **HORIZONTAL CROSS SECTION**  
Shown w/ Wood Stud Anchor

EXTERIOR

INTERIOR



**2**  
**5** **HORIZONTAL CROSS SECTION**  
Shown w/ Concrete Jamb Anchor



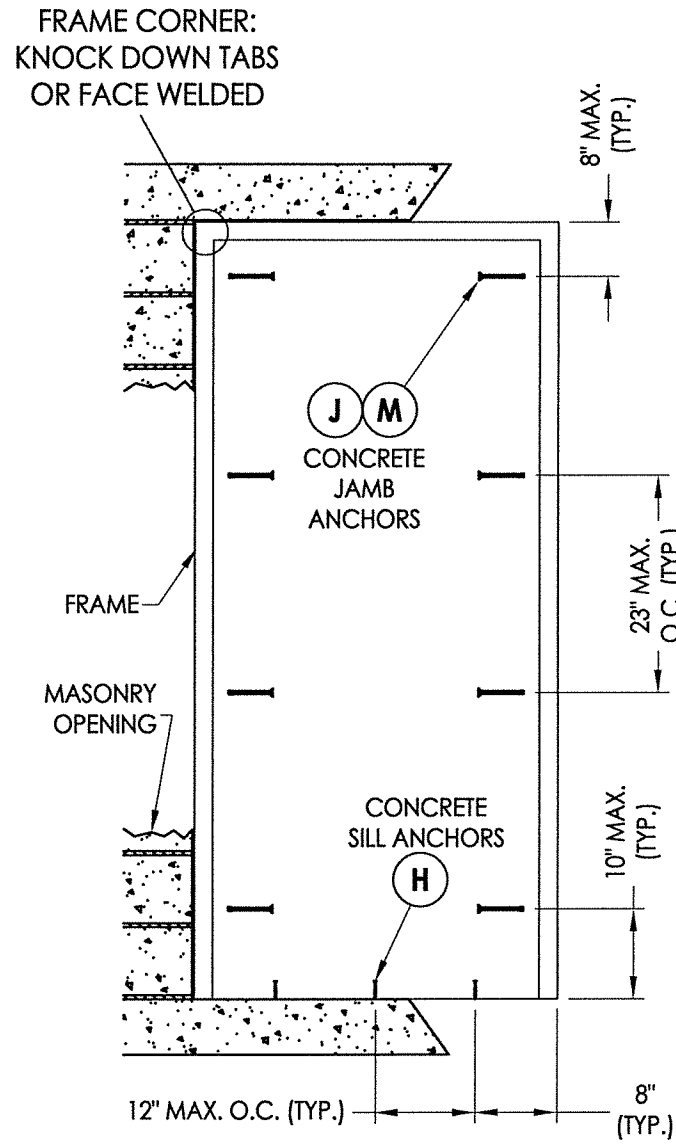
October 19, 2020  
Documents Prepared By:  
Lyndon F. Schmidt  
P.E. No. 43409  
R.W. BUILDING CONSULTANTS, INC.  
P.O. Box 230, Valrico, FL 33595  
Phone No.: 813.659.9197  
FBPE Registry No. 9813

PRODUCT:	DUNBARTON
PART OR ASSEMBLY:	HORIZONTAL CROSS SECTIONS

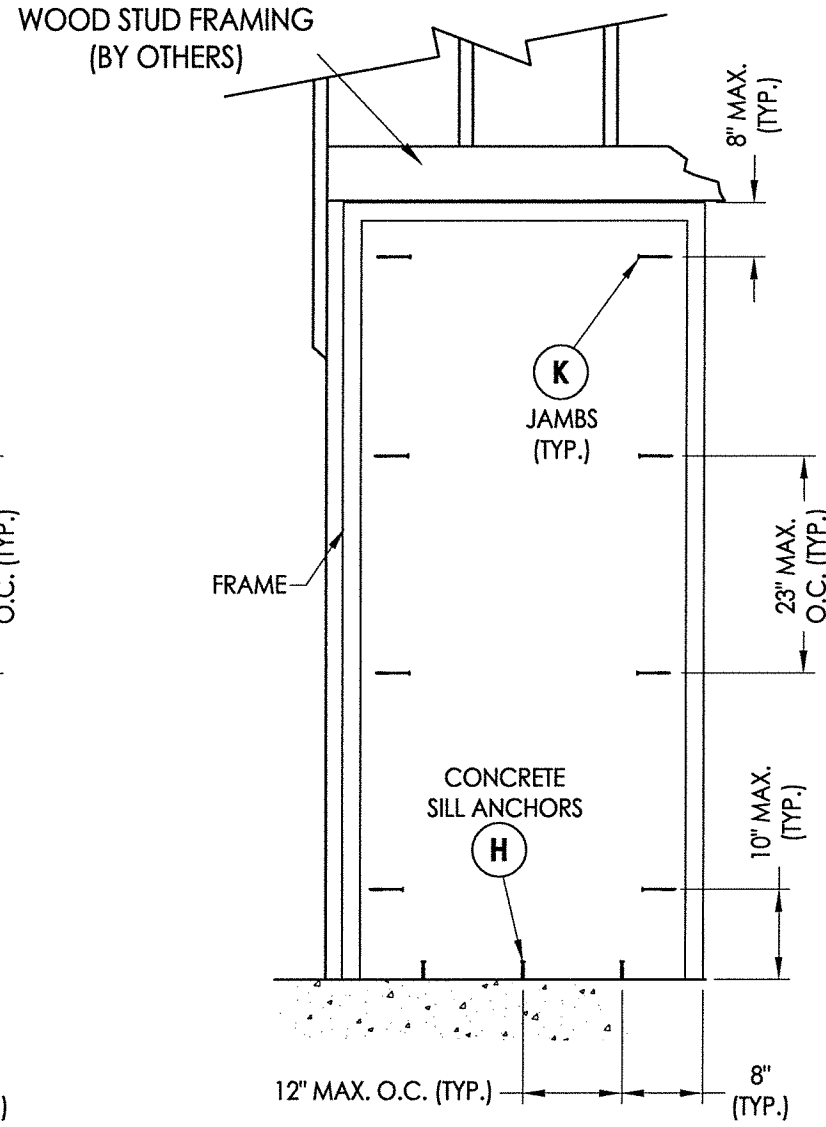
NO.	DATE	BY

DATE:	10/13/20
SCALE:	N.T.S.
DWG. BY:	RW
CHK. BY:	LFS
DRAWING NO.:	FL-9231.3
SHEET	5 OF 7

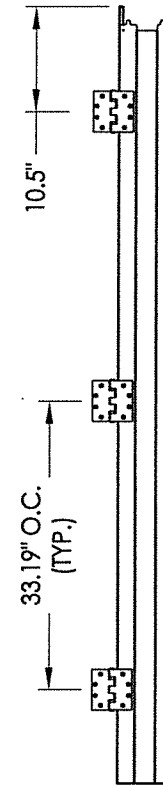
REVISIONS



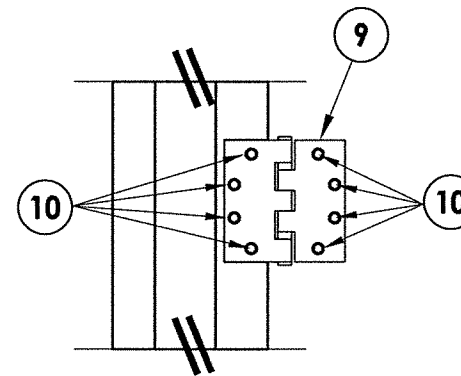
**FRAME ANCHORING**  
Masonry Construction  
Concrete Anchors



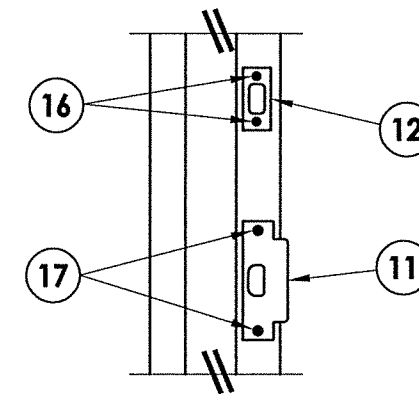
**FRAME ANCHORING**  
Wood Stud



**HINGE JAMB**



**HINGE DETAIL**

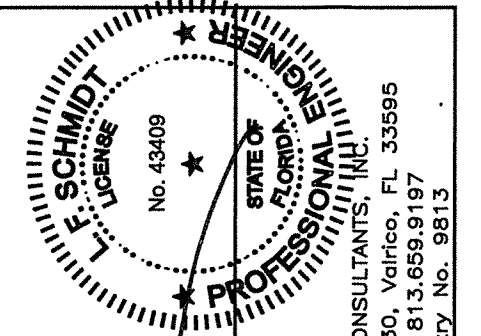


**STRIKE DETAIL**  
Latch & Deadbolt

**CONCRETE ANCHOR NOTES:**

- Concrete screw locations at the corners may be adjusted to maintain a minimum 1" edge distance to mortar joints. If concrete screw locations noted as "MAX. O.C." must be adjusted to maintain the minimum edge distance to mortar joints, additional concrete screws may be required to ensure the maximum on center dimension is not exceeded.
- Concrete anchor table:

ANCHOR TYPE	ANCHOR LOCATION	ANCHOR SIZE	MANUFACTURER	MIN. EDGE DISTANCE	MIN. EMBEDMENT
CONCRETE ANCHOR SCREW	JAMBS	3/8"	LDT TAPCON® (ITW BUILDEX)	3"	1-1/2"
	SILL	1/4"	TAPCON® (ITW BUILDEX) ULTRACON+® (DeWALT)	2-1/2"	1-3/4"
CONCRETE SLEEVE ANCHOR	JAMBS	3/8"	DYNABOLT SLEEVE ANCHOR® (ITW REDHEAD)	2-1/4"	1-1/2"



October 19, 2020  
 Documents Prepared By:  
 Lyndon F. Schmidt  
 P.E. No. 43409  
 R.W. BUILDING CONSULTANTS, INC.  
 P.O. Box 230, Valrico, FL 33595  
 Phone No.: 813.659.9197  
 FBPE Registry No. 9813

PRODUCT:	DUNBARTON
PART OR ASSEMBLY:	FRAME ANCHORING
NO.	DATE
BY	
REVISIONS	

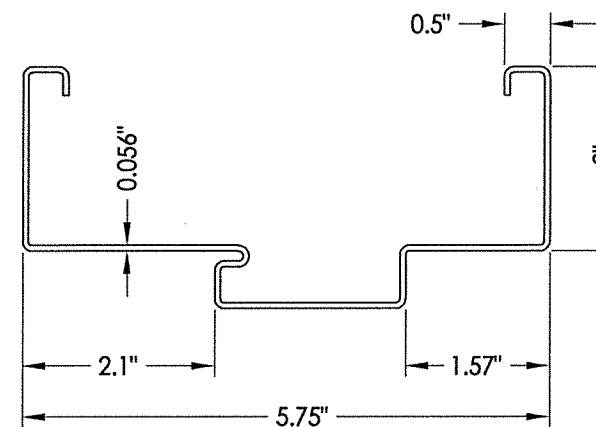
DATE: 10/13/20  
 SCALE: N.T.S.  
 DWG. BY: RW  
 CHK. BY: LFS  
 DRAWING NO.: FL-9231.3  
 SHEET 6 OF 7



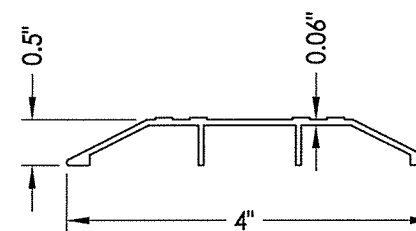
R:\Clients\Dunbarton Permanent\A - Florida Product Approvals\FL-9231 - Swinging Ext Doors - Rediframe PD\C - Drawings\FL-9231 (2020)\FL-9231.3.dwg, 7.3

BILL OF MATERIALS

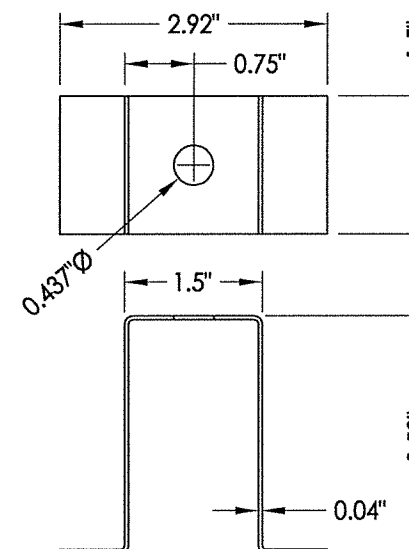
ITEM #	DESCRIPTION	MATERIAL
B	2X STUD FRAMING (G>= 0.55)	WOOD
C	1/4" MAX. SHIM SPACE	-
E	MASONRY - 3,000 PSI MIN. CONCRETE CONFORMING TO ACI 301 OR HOLLOW BLOCK (GROUT FILLED) CONFORMING TO ASTM C90	CONCRETE
H	1/4" X 2-1/4" PFH CONCRETE SCREW (SEE CONCRETE ANCHOR TABLE)	STEEL
J	3/8" X 5" PFH DYNABOLT SLEEVE ANCHOR (SEE CONCRETE ANCHOR TABLE)	STEEL
K	3/8" X 5" FH LAG SCREW (2-1/8" MIN. EMBEDMENT)	STEEL
M	3/8" X 5" LDT TAPCON CONCRETE SCREW (SEE CONCRETE ANCHOR TABLE)	STEEL
1	HOLLOW METAL FRAME	STEEL
5	ADA THRESHOLD	ALUM
7	WEATHERSTRIP	-
8	DOOR SWEEP	-
9	HINGE 4" X 4"	STEEL
10	#12-24 X 1/2" FH MACHINE SCREW	STEEL
11	LATCH STRIKE PLATE	STEEL
12	DEADBOLT STRIKE PLATE	STEEL
16	#8 X 3/4" FH SCREWS	STEEL
17	#12 X 1" FH SCREWS	STEEL
18	#12 X 1-1/8" PH SMS	STEEL
20	HINGE REINFORCEMENT (12 GA.)	STEEL
30	EXPANSION ANCHOR BRACKET(18 GA)	STEEL
40	STEEL DOOR PANEL (7'-0" DOOR JELD-WEN)	STEEL
41	STEEL DOOR PANEL (7'-0" DOOR MASONITE)	STEEL



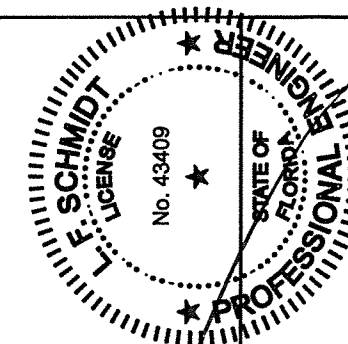
**1 HOLLOW METAL FRAME**  
16 GA. GALV. STEEL



**5 ADA THRESHOLD**  
DLP ISHC



**30 EXPANSION ANCHOR**  
Bracket



*LFS*  
October 19, 2020  
Documents Prepared By:  
Lyndon F. Schmidt  
P.E. No. 43409

*RW*  
BUILDING CONSULTANTS, INC.  
P.O. Box 230, Valrico, FL 33595  
Phone No.: 813.659.9197  
FBPE Registry No. 9813

PRODUCT:	DUNBARTON		
PART OR ASSEMBLY:	BILL OF MATERIALS & COMPONENTS		
NO.	DATE	BY	REVISIONS
DATE: 10/13/20			
SCALE: N.T.S.			
DWG. BY: RW			
CHK. BY: LFS			
DRAWING NO.: FL-9231.3			
SHEET 7 OF 7			